

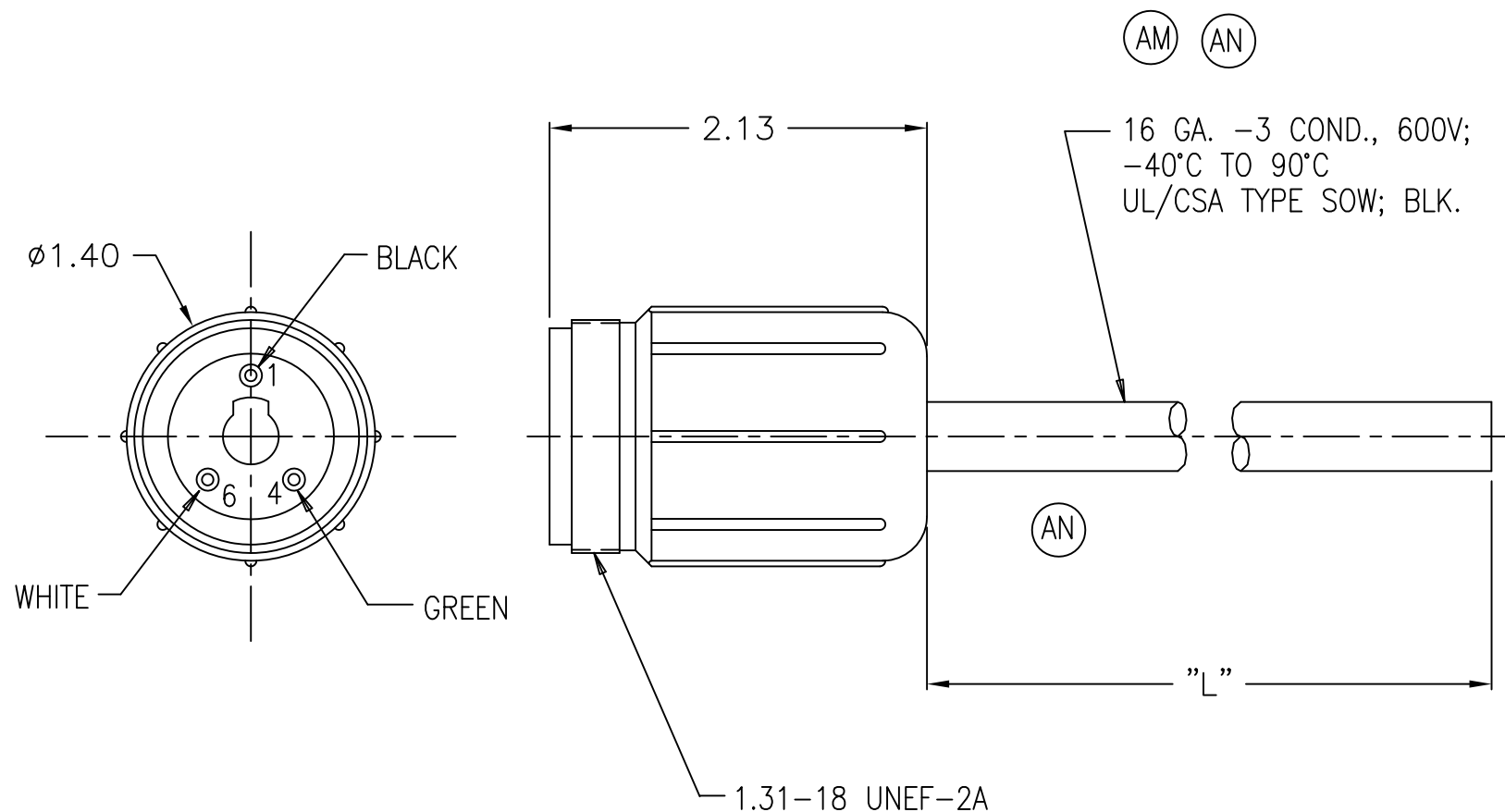
DO NOT SCALE PRINT

DIMENSIONS AND TOLERANCES IN ACCORDANCE WITH ASME Y14.5M-1994

WAS NO.

DRAWING NO.

CON-603



REV.	PART NO.	(L)	CONTACT PLATING
	CON-603-1	18.00	----
	-2	24.00	----
	-3	36.00	----
	-4	108.00	----
3/14/90 14250	-5	48.00	----
INACTIVE	-6		----
	-7	165.00	----
21MAR89 13748	-8	175.00	----
INACTIVE	-9		----
	-10	96.00	----
	-11	60.00	----
	-12	72.00	----
	-13	66.00	----
	-14	80.00	----
	-15	0.00	----
INACTIVE	-16		----
INACTIVE	-17		----
	-18	30.00	----
	-19	84.00	----
	-20	240.00	----
	-21	120.00	----
	-22	130.00	----

REV.	PART NO.	(L)	CONTACT PLATING
	CON-603-23	38.00	----
	-24	180.00	----
	-25	144.00	----
	-26	315.00	----
INACTIVE	-27		----
	-28	360.00	----
22565 10-22-01	-29	36.00	GOLD
22565 10-22-01	-30	30.00	GOLD
22565 10-22-01	-31	48.00	GOLD
3/14/90 14252	-32	150.00	----
22565 10-22-01	-33	72.00	GOLD
NOT ISSUED	-34		----
10-30-95 16836	-35	480.00	----
22565 10-22-01	-36	60.00	GOLD
26745 5-23-08	-37	591.00	----

PIN	COLOR
1	BLK
4	GRN
6	WHT

**NOTICE**  
THIS DRAWING IS THE PROPERTY OF QUALITROL CORPORATION AND IS LOANED ONLY ON THE CONDITION THAT IT WILL BE USED TO FACILITATE THE PURPOSE FOR WHICH IT WAS INTENDED AND NOT BE REPRODUCED, COPIED OR OTHERWISE DISPOSED OF, AND IS NOT TO BE USED IN WHOLE OR PART FOR FURNISHING INFORMATION RELATIVE TO THE MAKING OF DRAWINGS, PARTS, APPARATUS OR PARTS THEREOF, EXCEPT BY WRITTEN ORDER FROM QUALITROL CORPORATION.

TOLERANCE UNLESS NOTED:  
2 PLC.DECIMAL +/- .02  
3 PLC.DECIMAL +/- .005  
ANGULAR +/- 2 DEG.

**QUALITROL**  
CORPORATION  
FAIRPORT, NEW YORK

LET	DATE	ALTERATION	C.N.
-	10-19-00	NOTE 1: TIN PLATE WAS SILVER PLATE; (REFERS TO PTS.-29,30,31 & 33 ONLY)	21684
-	12-17-98	REVISED CABLE SPECS.	19894
AN	10-14-91	UPDATED	15108
AM	3-27-91	CABLE TYPE WAS S.O.	14719
AL	6-14-90	REDRAWN WITH CHANGES	14300

TITLE: 3 COND. CONNECTOR  
STD. QUALITROL (#16 GA.)

MATERIAL:  
FINISH:

DRAWN	DATE
P.J.W.	6-14-90
CHECK TWE	10-16-91
APP'D -	-

SCALE: 1:1  
SHEET 1 OF 1  
DRAWING NO. CON-603