

DO NOT SCALE PRINT.

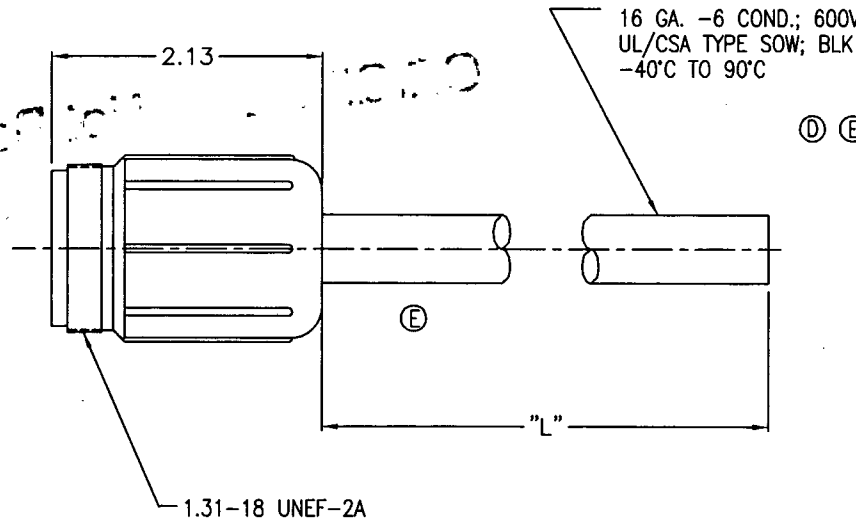
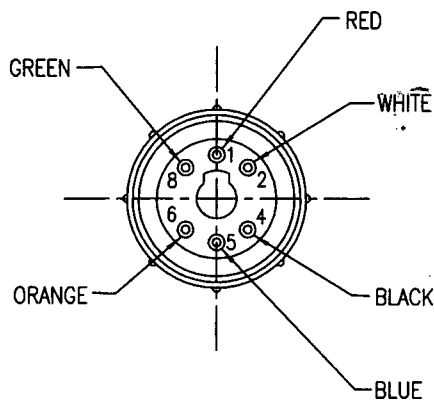
DIMENSIONS AND TOLERANCES IN ACCORDANCE WITH ASME Y14.5M-1994

WAS NO.

DRAWING NO.

CON-606

DEC 05 2014



OBS.

5/4/94
16323
12/2/14
33083

PART NO.	(L)
CON-606-1	36.00
-2	72.00
-3	18.00
-4	24.00
-5	48.00
-6	30.00
-7	—
-8	60.00
-9	120.00
-10	96.00
-11	204.00
-12	300.00
-13	144.00
-14	168.00
-15	0
-16	84.00
-17	400.00

PIN	COLOR
1	RED
2	WHT
4	BLK
5	BLU
6	ORN
8	GRN

NOTICE
THIS DRAWING IS THE PROPERTY OF QUALITROL CORPORATION AND IS LOANED ONLY ON THE CONDITION THAT IT WILL BE USED TO FACILITATE THE PURPOSE FOR WHICH IT WAS INTENDED AND NOT BE REPRODUCED, COPIED OR OTHERWISE DISPOSED OF, AND IS NOT TO BE USED IN WHOLE OR PART FOR FURNISHING INFORMATION RELATIVE TO THE MAKING OF DRAWINGS, PARTS, APPARATUS OR PARTS THEREOF, CHECK BY WRITTEN ORDER FROM QUALITROL CORPORATION.

TOLERANCE UNLESS NOTED:
2 PLC.DECIMAL +/- .02
3 PLC.DECIMAL +/- .005
ANGULAR +/- 2 DEG.

QUALITROL
CORPORATION

FAIRPORT, NEW YORK

LET	DATE	ALTERATION	C.N.
-	12/2/14	ADDED PART -17	33083
-	12-17-98	REVISED CABLE SPECS.	19894
E	10-11-91	UPDATED	15108
D	4-2-91	WAS TYPE S.O.	14712
C	12-6-90	REDRAWN WITH CHANGES	14321

TITLE: 6 COND. CONNECTOR
STD. QUALITROL (16 GA.)

MATERIAL:

FINISH:

SCALE

1:1

SHEET 1 OF 1

DRAWING NO. CON-606

DRAWN	PJW	DATE
CHECK	T.W.E.	6-12-90
APP'D	TWE	10-16-91
		5-2-94