

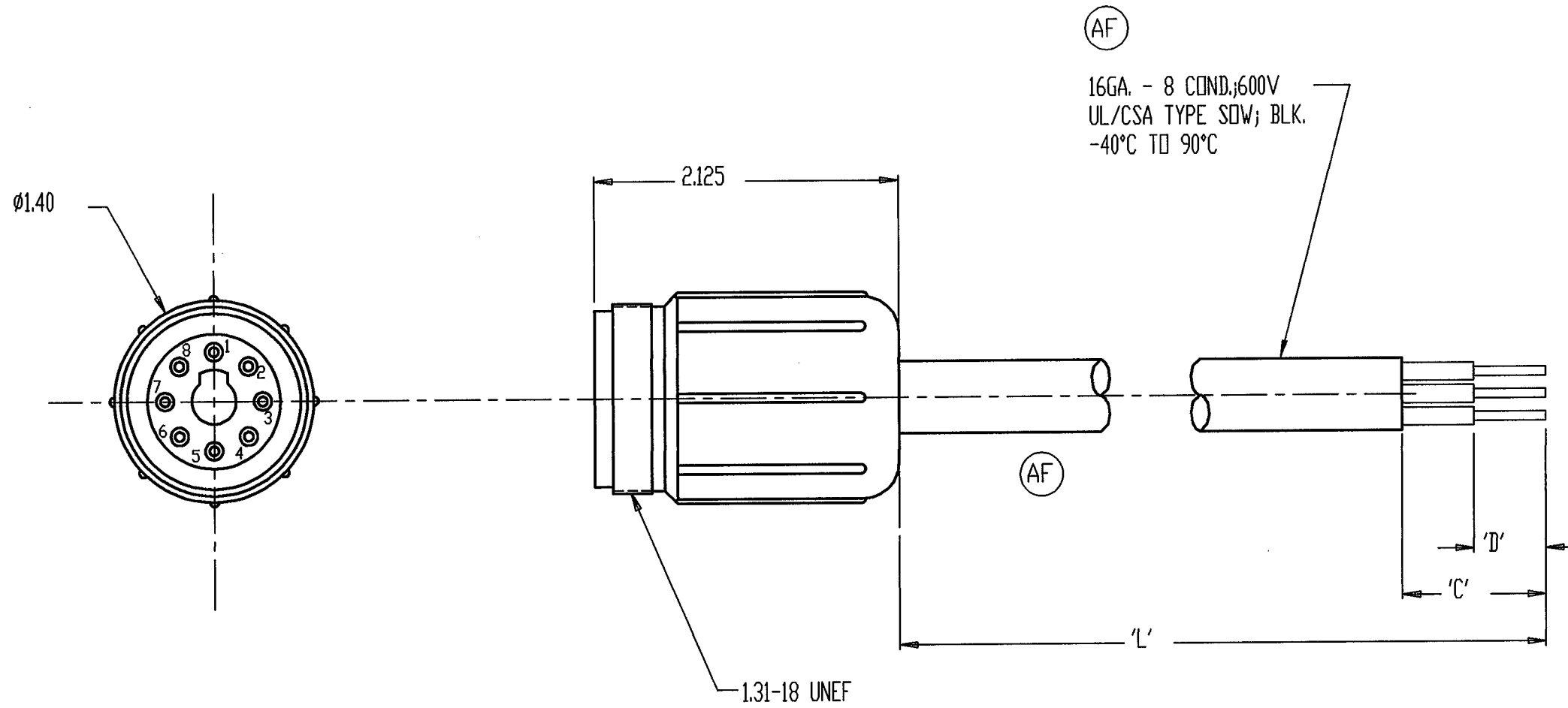
DO NOT SCALE PRINT

DIMENSIONS AND TOLERANCES IN ACCORDANCE WITH ASME Y14.5M-1994

WAS NO.

DRAWING NO.

CON-608



ØBS
N/I

N/I

ØBS

N/I
17162
9-10-96

N/I

PART NO.	'L'	'C'	'D'
CON-608-1	36.00	—	—
-2		—	—
-3		—	—
-4	144.00	—	—
-5		—	—
-6	48.00	—	—
-7	30.00	—	—
-8	24.00	—	—
-9	72.00	—	—
-10	120.00	—	—
-11		—	—
-12	58.00	—	—
-13	00.00	—	—
-14		—	—
-15	80.00	—	—
-16	60.00	—	—
-17	40.00	—	—
-18		—	—
-19	96.00	—	—
-20	108.00	—	—
-21	32.00	1.000	.500

PIN	COLOR
1	RED
2	WHT
3	BLK
4	BRN
5	YEL
6	BLU
7	DRN
8	GRN

KANBAN 925A

NOTICE
THIS DRAWING IS THE PROPERTY OF QUALITROL CORPORATION AND IS LOANED ONLY ON THE CONDITION THAT IT WILL BE USED TO FACILITATE THE PURPOSE FOR WHICH IT WAS INTENDED AND NOT BE REPRODUCED, COPIED OR OTHERWISE DISPOSED OF, AND IS NOT TO BE USED IN WHOLE OR PART FOR FURNISHING INFORMATION RELATIVE TO THE MAKING OF DRAWINGS, PARTS, APPARATUS OR PARTS THEREOF, EXCEPT BY WRITTEN ORDER FROM QUALITROL CORPORATION.

LET	DATE	ALTERATION	C.N.
-	12-17-98	REVISED CABLE SPEC.	19894
AF	10-11-91	UPDATED	15108
AE	4-16-91	REDRAWN WITH CHANGE	14729

TITLE: 8 COND. CONNECTOR
STD. QUALITROL (16 GA)

MATERIAL:

FINISH:

TOLERANCE UNLESS NOTED:
2 PLC.DECIMAL +/- .02
3 PLC.DECIMAL +/- .005
ANGULAR +/- 2 DEG.

FORM 0-465 REV.C 7/1/97
QualiTROL CORPORATION
FAIRPORT, NEW YORK

DRAWN	MFS	DATE
CHECK	TWE	10-16-91
APP'D	-	-

SCALE: 1:1
SHEET 1 OF 1
DRAWING NO. **CON-608**