

DO NOT SCALE PRINT

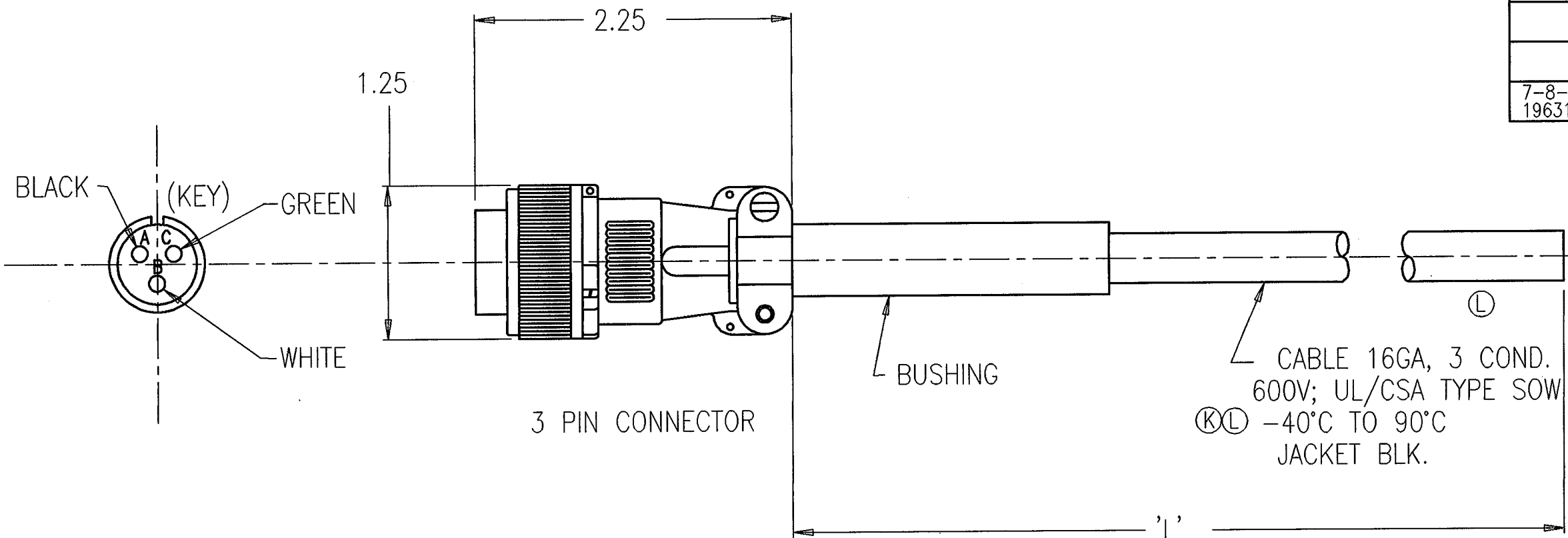
DIMENSIONS AND TOLERANCES IN ACCORDANCE WITH ASME Y14.5M-1994

WAS NO.

DRAWING NO.

CON-630

REV.	PART NO.	'L'	COMMENTS
	CON-630-1	24.00	
	-2	36.00	
	-3	96.00	
	-4	60.00	
	-5	48.00	
	-6	72.00	
	-7	84.00	
	-8	180.00	
	-9	120.00	
7-8-98 19631	-10	0.00	



KANBAN 925A

NOTICE
 THIS DRAWING IS THE PROPERTY OF QuallITROL CORPORATION AND IS LOANED ONLY ON THE CONDITION THAT IT WILL BE USED TO FACILITATE THE PURPOSE FOR WHICH IT WAS INTENDED AND NOT BE REPRODUCED, COPIED OR OTHERWISE DISPOSED OF, AND IS NOT TO BE USED IN WHOLE OR PART FOR FURNISHING INFORMATION RELATIVE TO THE MAKING OF DRAWINGS, PARTS, APPARATUS OR PARTS THEREOF, EXCEPT BY WRITTEN ORDER FROM QuallITROL CORPORATION.

LET	DATE	ALTERATION	C.N.
-	12-17-98	REVISED CABLE SPECS.	19894
L	10-14-91	UPDATED	15108
K	3-27-91	CABLE WAS TYPE S.O	14719
J	15JUN90	REDRAWN	14300

TITLE: **CONNECTOR ASBY
3 COND 16 GA.**

MATERIAL:

FINISH:

TOLERANCE UNLESS NOTED:
 2 PLC.DECIMAL +/- .02
 3 PLC.DECIMAL +/- .005
 ANGULAR +/- 2 DEG.

FORM 0-465 REV.C 7/1/97
QuallITROL CORPORATION
 FAIRPORT, NEW YORK

DRAWN	DATE
PJW	15JUN90
CHECK	DATE
TWE	10-16-91
APP'D	

SCALE: 1 = 1
 SHEET 1 OF 1
 DRAWING NO. **CON-630**