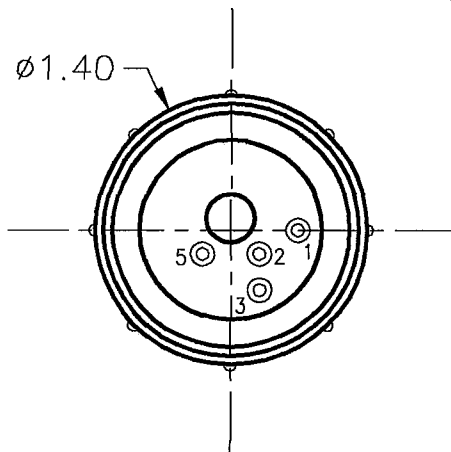


DO NOT SCALE PRINT

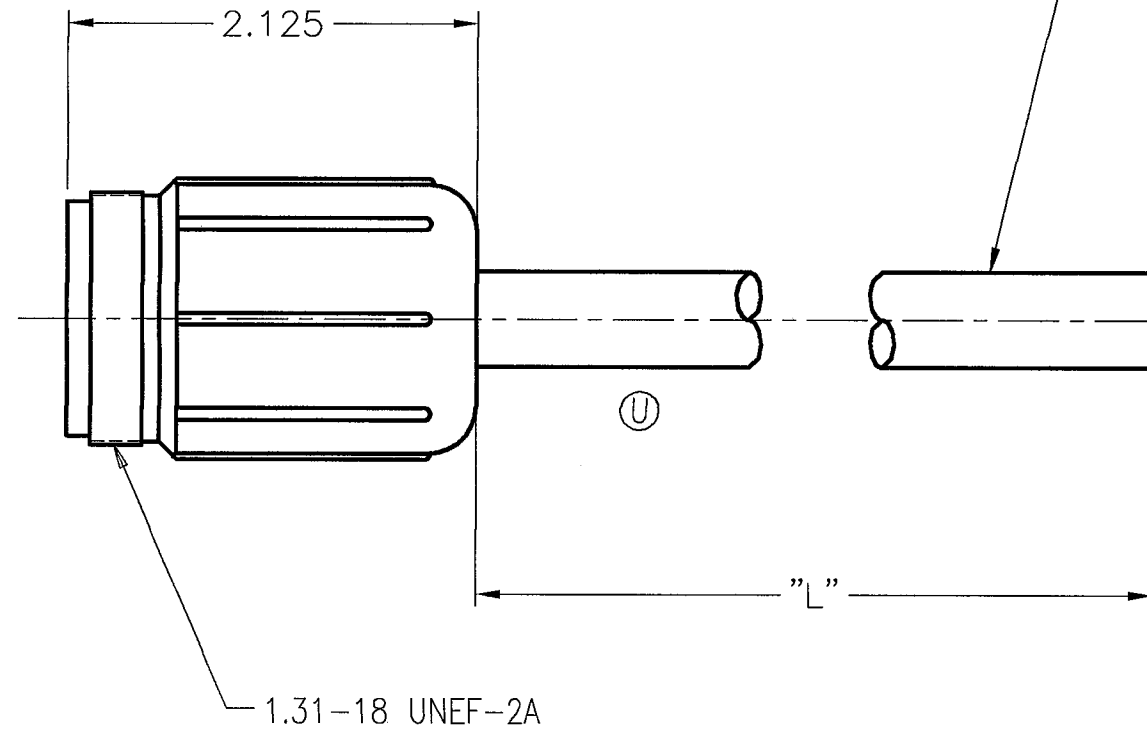
DIMENSIONS AND TOLERANCES IN ACCORDANCE WITH ASME Y14.5M-1994

WAS NO.

DRAWING NO. CON-659



①
16GA. - 3 COND.;600V
UL/CSA TYPE SOW; BLK
-40°C TO 90°C



REVISION	PART NO.	'L'	CONTACT PLATING
	CON-659-1	30.00	----
	-2	72.00	----
	-3	36.00	----
	-4	00.00	----
	-5	24.00	----
	-6	48.00	----
	-7	60.00	----
	-8	360.00	----
	-9	84.00	----
	-10	96.00	----
	-11	120.00	----
	-12	144.00	----
	-13	240.00	----
	-14	18.00	----
	-15	180.00	----
4/1/91-14798	-16	150.00	----
22565 10-22-01	-17	60.00	GOLD

PIN	COLOR
1	BLK
2	RED
3	BLU

NOTICE
THIS DRAWING IS THE PROPERTY OF QUALITROL CORPORATION AND IS LOANED ONLY ON THE CONDITION THAT IT WILL BE USED TO FACILITATE THE PURPOSE FOR WHICH IT WAS INTENDED AND NOT BE REPRODUCED, COPIED OR OTHERWISE DISPOSED OF, AND IS NOT TO BE USED IN WHOLE OR PART FOR FURNISHING INFORMATION RELATIVE TO THE MAKING OF DRAWINGS, PARTS, APPARATUS OR PARTS THEREOF, EXCEPT BY WRITTEN ORDER FROM QUALITROL CORPORATION.

TOLERANCE UNLESS NOTED:
2 PLC.DECIMAL +/- .02
3 PLC.DECIMAL +/- .005
ANGULAR +/- 2 DEG.

QUALITROL
CORPORATION
FAIRPORT, NEW YORK

LET	DATE	ALTERATION	C.N.
-	12-17-98	REVISED CABLE SPECS.	19894
U	10-11-91	UPDATED	15108
T	3-20-91	REDRAWN W/ CHANGE	14728

TITLE: 3 COND. CONNECTOR
STD. QUALITROL ANSI

MATERIAL:

FINISH:

SCALE: 1:1

SHEET 1 OF 1

DRAWING NO. CON-659

DRAWN	DATE
MFS	1-30-91
CHECK	10-16-91
APP'D	-