

DO NOT SCALE PRINT

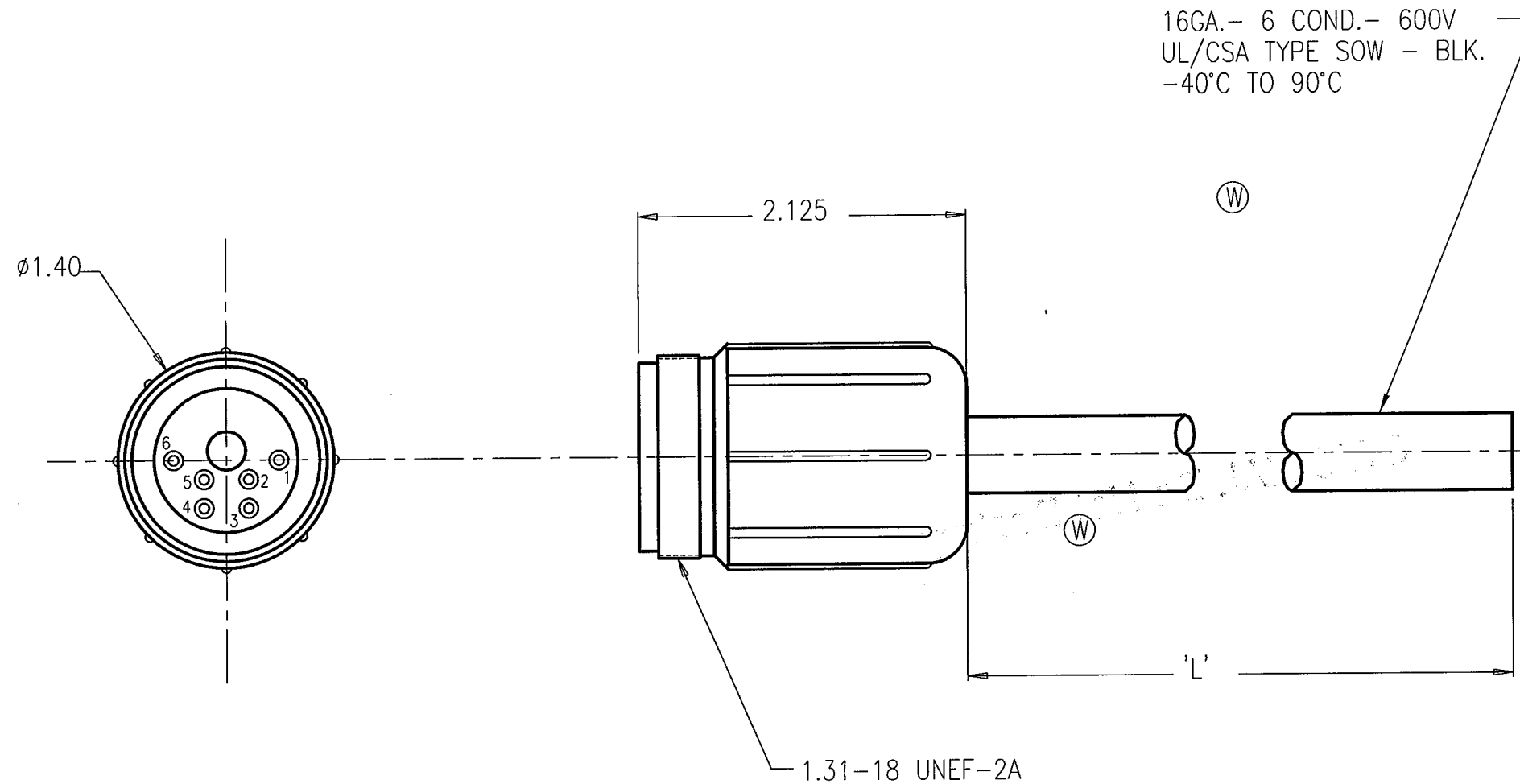
DIMENSIONS AND TOLERANCES IN ACCORDANCE WITH ASME Y14.5M-1994

WAS NO.

DRAWING NO.

CON-660

REVISION	PART NO.	'L'	REMARKS
	CON-660-1	30.00	
	-2	72.00	
	-3	36.00	
	-4	00.00	
I/A	-5		
	-6	48.00	
	-7	60.00	
I/A	-8		
	-9	84.00	
	-10	96.00	
	-11	120.00	
	-12	144.00	
	-13	240.00	
OBS	-14		
	-15	192.00	
	-16	360.00	
9/6/96 17216	-17	168.00	
24912 2-1-05	-18	24.00	



PIN	COLOR
1	BLK
2	RED
3	BLU
4	ORN
5	YEL
6	BRN

NOTICE
 THIS DRAWING IS THE PROPERTY OF QUALITROL CORPORATION AND IS LOANED ONLY ON THE CONDITION THAT IT WILL BE USED TO FACILITATE THE PURPOSE FOR WHICH IT WAS INTENDED AND NOT BE REPRODUCED, COPIED OR OTHERWISE DISPOSED OF, AND IS NOT TO BE USED IN WHOLE OR PART FOR FURNISHING INFORMATION RELATIVE TO THE MAKING OF DRAWINGS, PARTS, APPARATUS OR PARTS THEREOF, EXCEPT BY WRITTEN ORDER FROM QUALITROL CORPORATION.

LET	DATE	ALTERATION	C.N.
-	12-17-98	REVISED CABLE SPEC.	19894
X	10-21-93	ADD PT. -16	16108
W	10-14-91	UPDATED	15108
V	03-20-91	REDRAWN W/ CHANGE	14728

TITLE: 6 COND. CONNECTOR STD. QUALITROL ANSI	
MATERIAL:	
FINISH:	
SCALE: 1:1	SHEET 1 OF 1
DRAWING NO. CON-660	

TOLERANCE UNLESS NOTED:
 2 PLC.DECIMAL +/- .02
 3 PLC.DECIMAL +/- .005
 ANGULAR +/- 2 DEG.

QUALITROL
 CORPORATION
 FAIRPORT, NEW YORK

DRAWN	MFS	DATE	01-30-91
CHECK	TWE	DATE	10-16-91
APP'D	-	DATE	-