

DO NOT SCALE PRINT

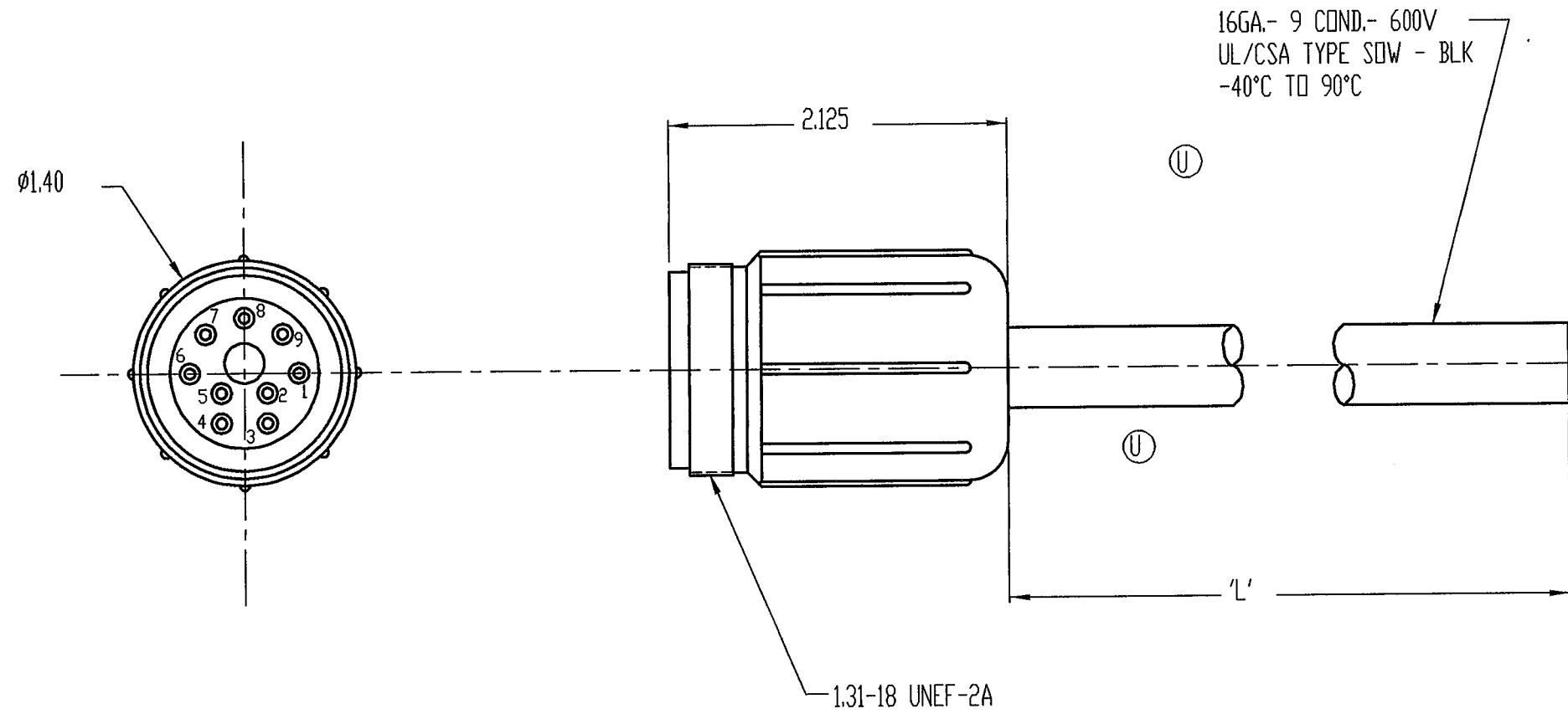
DIMENSIONS AND TOLERANCES IN ACCORDANCE WITH ASME Y14.5M-1994

WAS NO.

DRAWING NO.

CON-661

PART NO.	'L'	REMARKS
CON-661-1	30.00	
-2	72.00	
-3	36.00	
-4	00.00	
-5	24.00	
-6	48.00	
-7	60.00	
-8		
-9	84.00	
-10	96.00	
-11	120.00	
-12	144.00	
-13	240.00	



PIN	COLOR
1	BLK
2	RED
3	BLU
4	ORN
5	YEL
6	BRN
7	RED/BLK
8	BLU/BLK
9	ORN/BLK

NOTICE
 THIS DRAWING IS THE PROPERTY OF QUALITROL CORPORATION AND IS LOANED ONLY ON THE CONDITION THAT IT WILL BE USED TO FACILITATE THE PURPOSE FOR WHICH IT WAS INTENDED AND NOT BE REPRODUCED, COPIED OR OTHERWISE DISPOSED OF, AND IS NOT TO BE USED IN WHOLE OR PART FOR FURNISHING INFORMATION RELATIVE TO THE MAKING OF DRAWINGS, PARTS, APPARATUS OR PARTS THEREOF, EXCEPT BY WRITTEN ORDER FROM QUALITROL CORPORATION.

TOLERANCE UNLESS NOTED:
 2 PLC.DECIMAL +/- .02
 3 PLC.DECIMAL +/- .005
 ANGULAR +/- 2 DEG.

Quali TROL CORPORATION
 FAIRPORT, NEW YORK

FORM 0-465 REV.C 7/1/97

LET	DATE	ALTERATION	C.N.
-	12-17-98	REVISED CABLE SPECS.	19894
U	10-14-91	UPDATED	15108
T	3-20-91	REDRAWN W/ CHANGE	14728

TITLE: 9 COND. CONNECTOR STD. QUALITROL ANSI	
MATERIAL:	
FINISH:	
SCALE: 1:1	SHEET 1 OF 1
DRAWING NO. CON-661	

KANBAN 925A